

Sink Diade Gun Metal Fumè

Kitchen Sinks

Code: 3028 016



DETAILS

Edge/Installation Type Flush-mount | Top-mount

Material AISI 304 stainless steel

Texture Brushed in line

Finish Foster brushed

Finish PVD

Coloring Gun Metal Fumè

Base 90 cm

Width 80 cm

Dimensions 800 x 440 mm

Bowl dimension 760 x 400 mm

Built-in hole [View technical data sheet](#)

Standard fittings Fixing hooks, gasket, drain, overflow and siphon, boxed packing

Mixer holes No standard holes

Drainer No

Number of bowls 1 bowl

Waste fitting 3,5" drain

FEATURES

Basket 3,5" waste fitting The drain is equipped with a large 3.5" drain, with the practical basket cap that prevents the discharge of solid parts.

Deep bowls This bowls reach an important depth, over 20 cm, thanks to the advanced production technology, that can be offer great capiciency and practicity in all the washing operations.

GUN METAL FUMÈ The Gun Metal Fumè finish is obtained by treating steel with a physical process called PVD (Phisical Vacuum Deposition) which deposits particles of noble metals on the surface. The result is a unique and refined aesthetic effect, and an improvement of the mechanical properties of the steel which is more resistant to impact and scratches.

High thickness 1mm thick steel. A significant thickness, which guarantees the maximum sturdiness and durability.

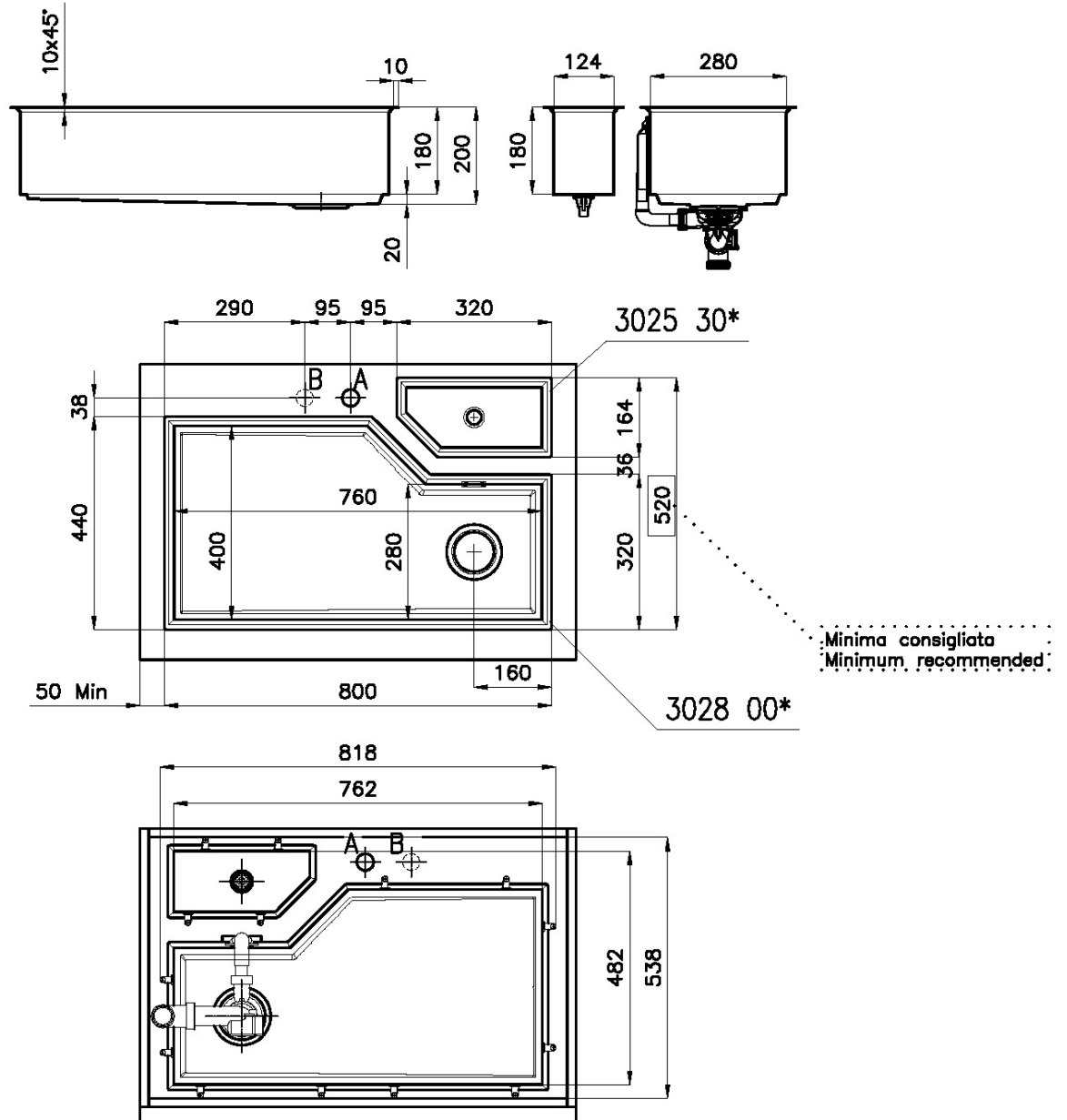
MOULDED BOTTOM The moulded bottom guarantees perfect water flow and facilitates cleaning operations thanks to the perimeter step with sloping walls.

Perimetral overflow

The overflow is always a security on the Foster sinks that prevents the overflow of water in case of oversights. The perimeter drain solution improves aesthetics thanks to its square and essential shape.

TECHNICAL DATA

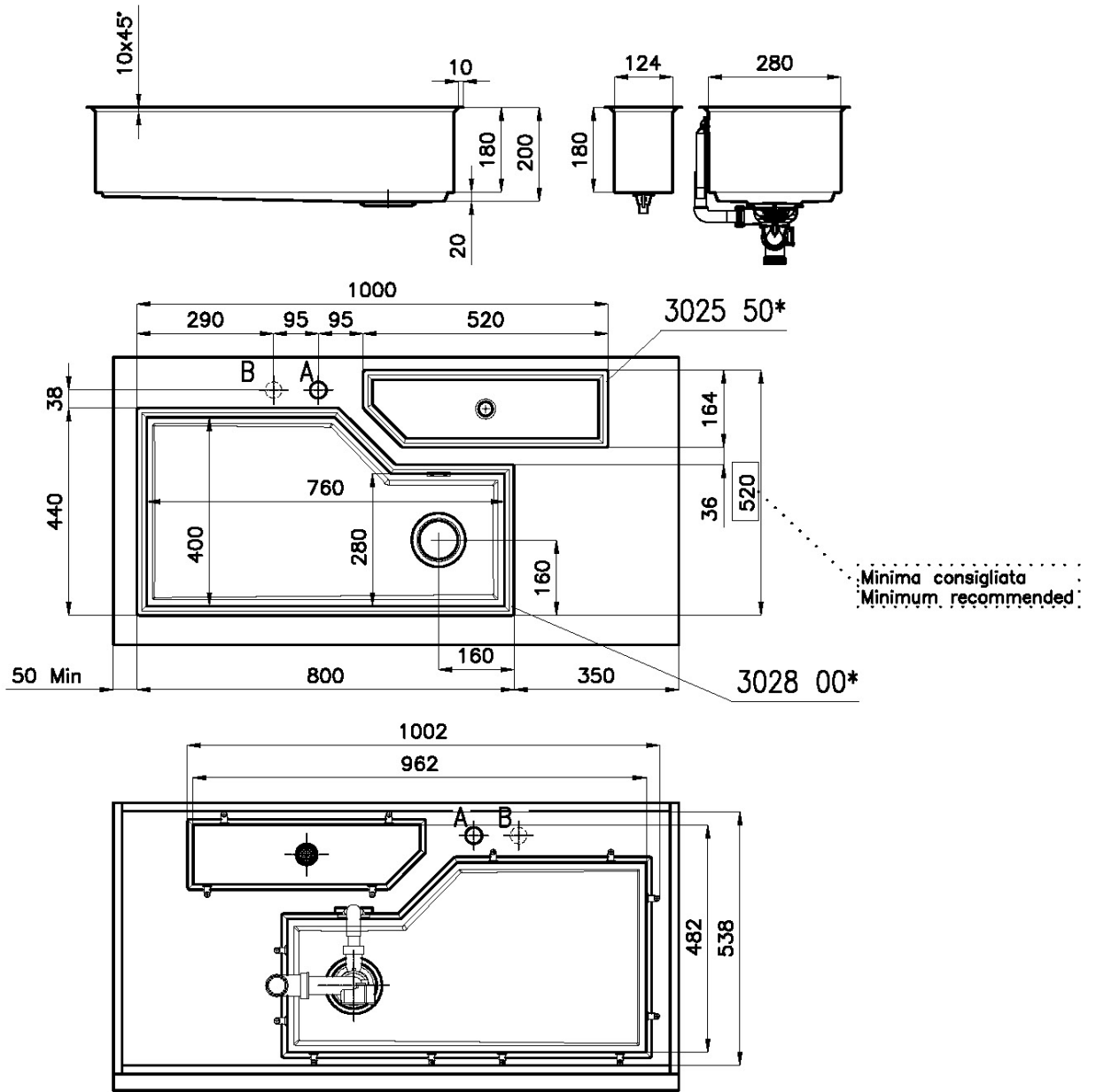
Filotop/Sopratop | Flush-mount/Drop-in-mount
Base 90 | 90 Cabinet



A: Foro Mix/Mixer tap cut-out

B: Foro comando automatico piletta/Automatic waste-fitting command cut-out

Filotop/Sopratop | Flush-mount/Drop-in-mount Base 120 | 120 Cabinet

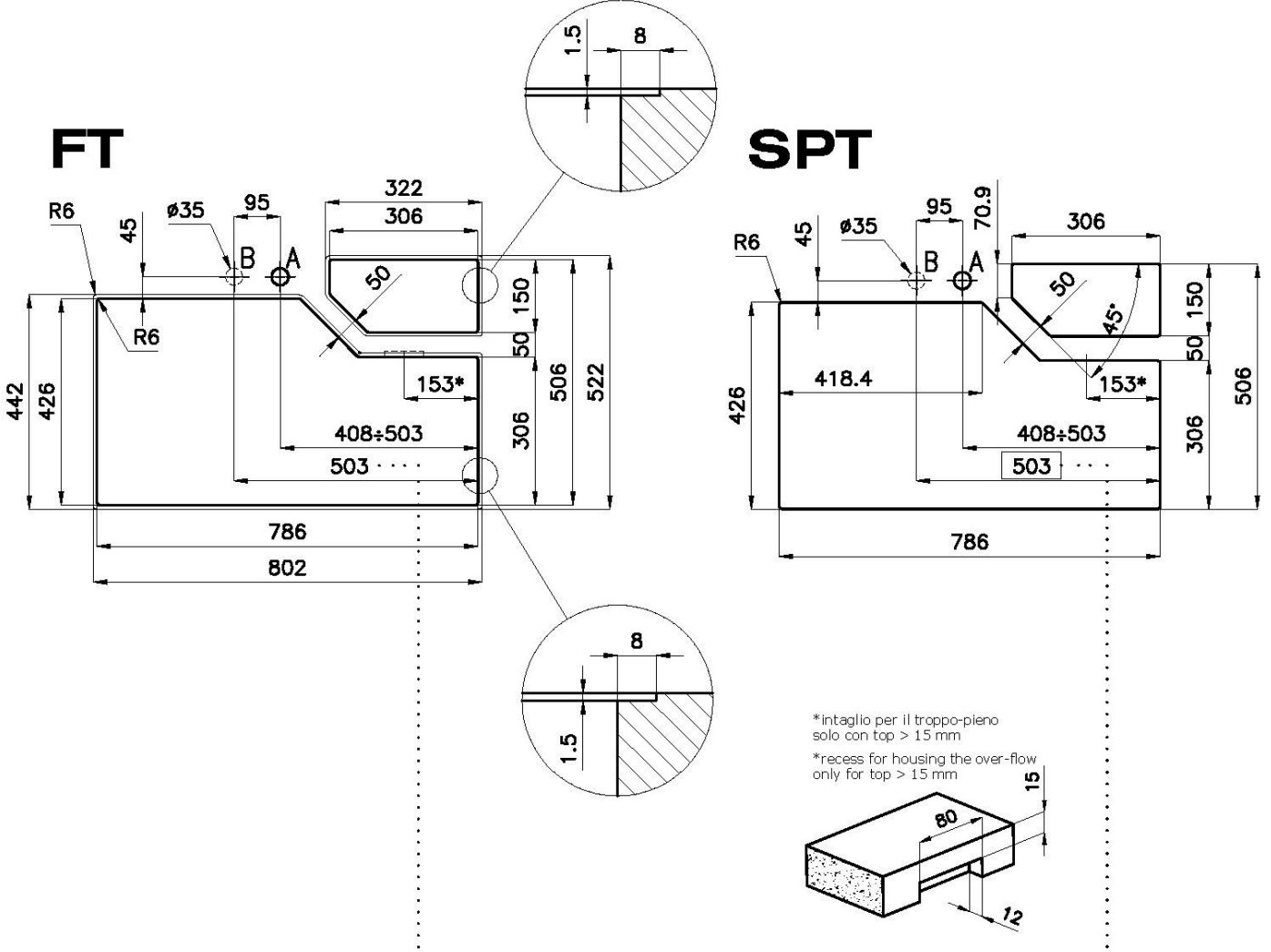


A: Foro Mix/Mixer tap cut-out

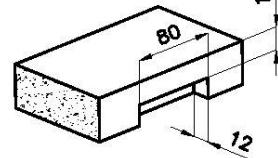
B: Foro comando automatico piletta/Automatic waste-fitting command cut-out

Filotop/Sopratop | Flush-mount/Drop-in-mount Base 90 | 90 Cabinet

Cut out size
Dimensioni per foratura top



*intaglio per il troppo-pieno solo con top > 15 mm
*recess for housing the over-flow only for top > 15 mm

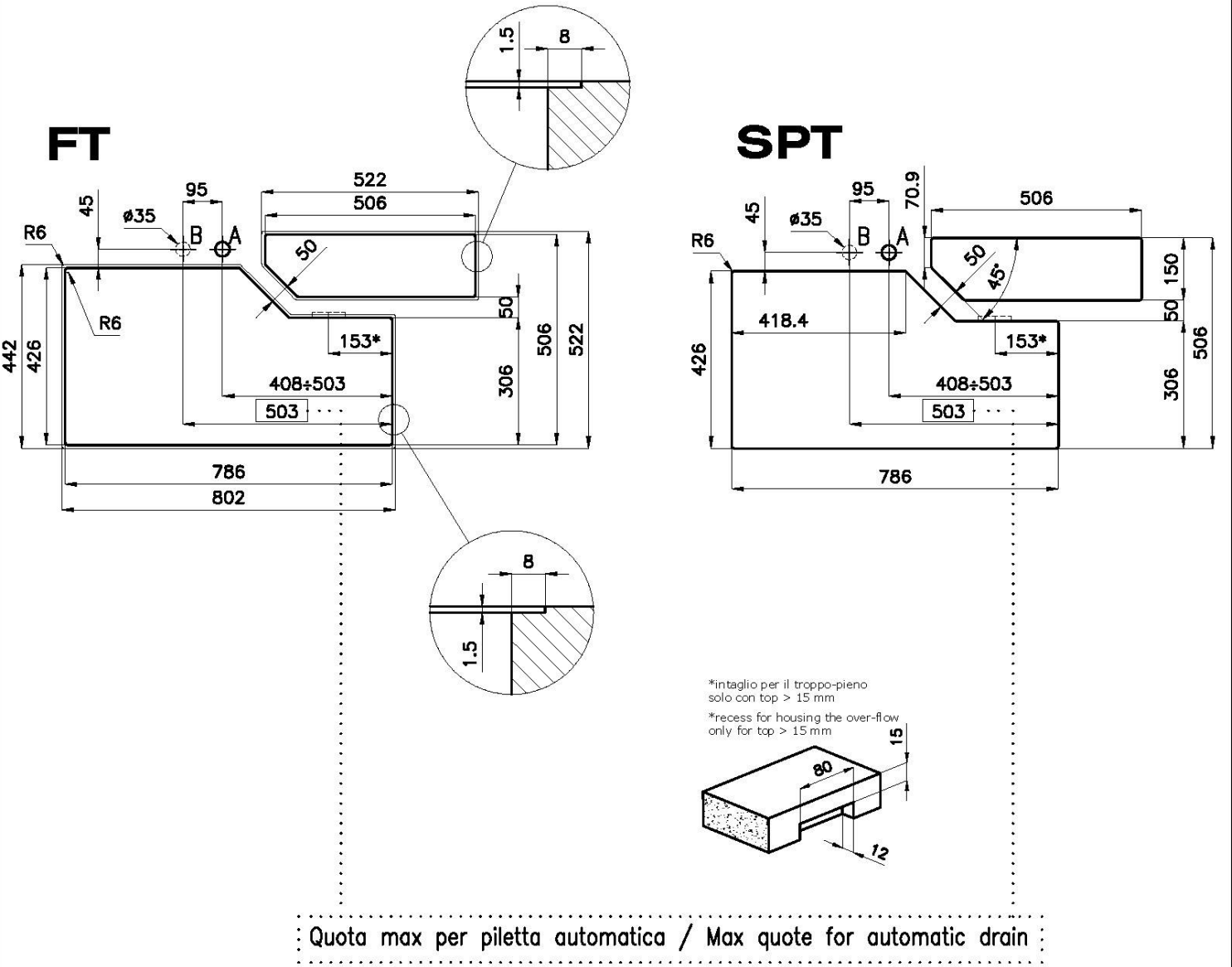


: Quota max per piletta automatica / Max quote for automatic drain :

sink thickness/spessore acciaio 1

Filotop/Sopratop | Flush-mount/Drop-in-mount Base 120 | 120 Cabinet

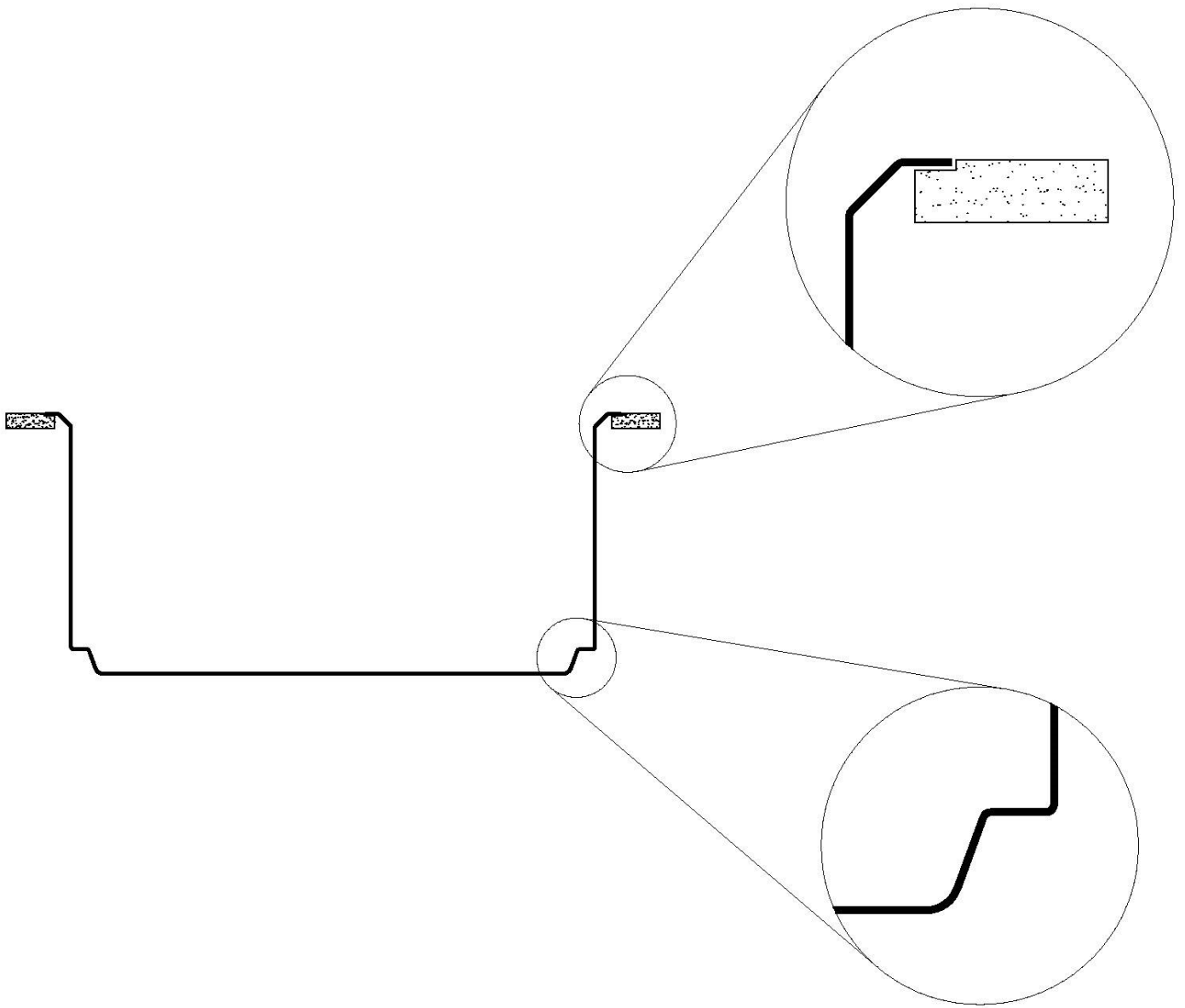
Cut out size
Dimensioni per foratura top



sink thickness/spessore acciaio

1

FILOTOP / SOPRATOP



GALLERY



EQUIPMENT



Black multifunction chopping board

8100 608

OPTIONAL ACCESSORIES



Black lid

8151 005



Iroko-wood round chopping board

8642 005



Stainless steel colander

8151 010



Stainless steel perforated tray

8151 001

RECOMMENDED PAIRINGS



VOLTA GUN METAL
8491 106



Dispenser Evo satin Gun Metal
8520 156



**Diade equipped troughs Gun Metal
Fumè**
8100 136



**Diade equipped troughs Gun Metal
Fumè**
8100 156



**Diade equipped troughs Gun Metal
Fumè**
8100 166

OPTIONAL AUTOMATIC WASTE FITTINGS



**Space Push Gun Metal automatic
waste fitting - PO**
8407 120